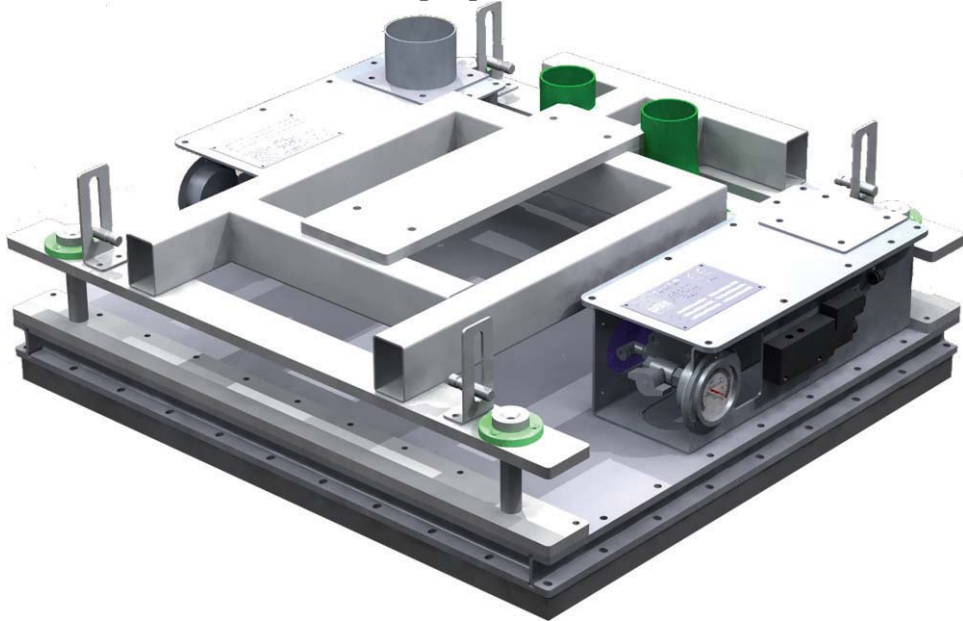


CUSTOM GRIPPER

Foam Vacuum Gripper



CG-

Range
of the gripper :
- CG = Custom Gripper

VG

Technology :
- VG = Valve Gripper
- PG = Port Gripper
- FV = Foam Valves
- MX = Mixed

420x800

Dimensions :
- custom size

-P20

Pitch :
- custom pitch

-3STX2

Integrated
Vacuum Source*1 :
- 1ST
- 2ST
- 3ST
- *nothing*

concept

- Custom design to fit your specific application
- Pick up all products without adjustment
- Partner together for success of project
- Gripping power remains constant with single parts or entire layer

benefits

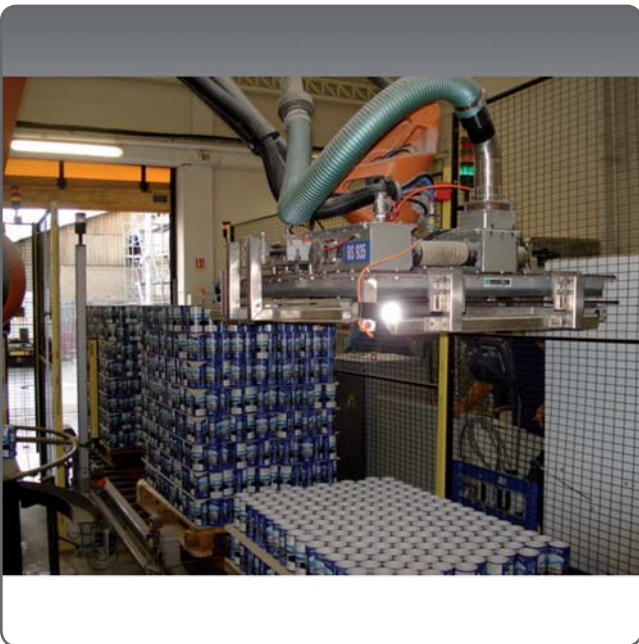
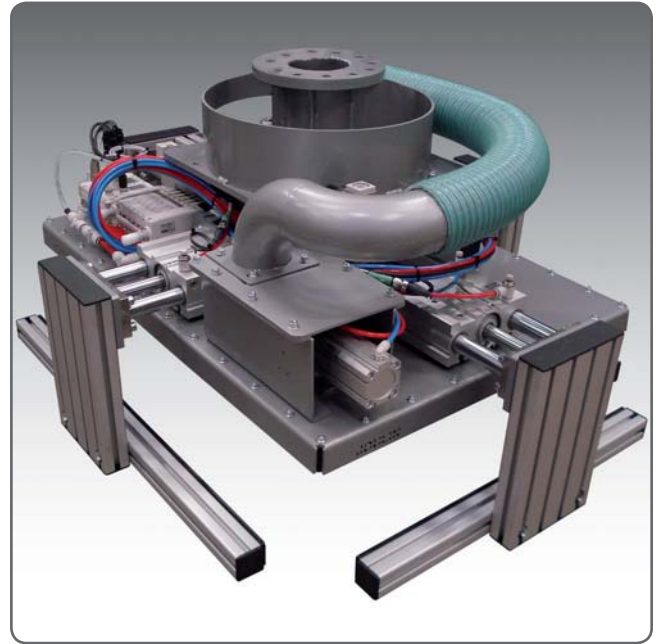
- In house testing and demo grippers available
- Complete function guarantee
- Get the benefit of 50 years experience in custom gripper
- Low maintenance
- Designed with Griptech™ and Wave System™

more options

- Robot attachments
- Side bolsters
- Wiring and field bus
- Installation and on-site start-up available

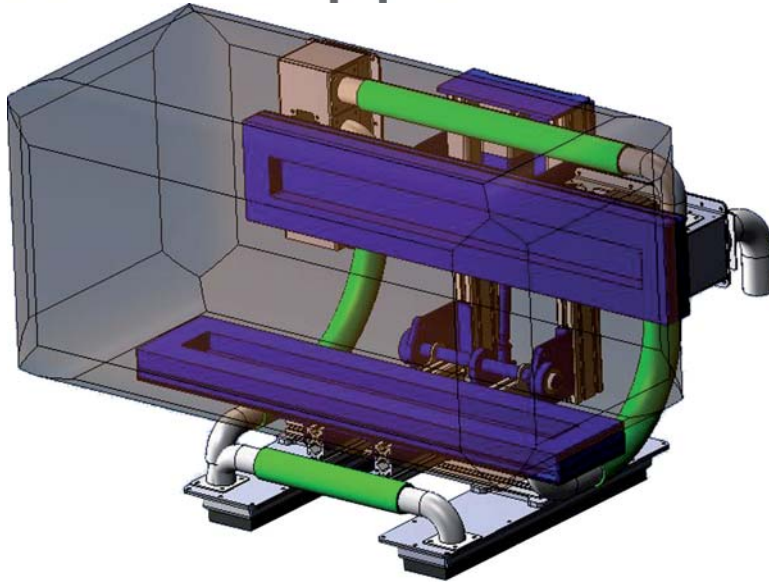
CUSTOM GRIPPER

Foam Vacuum Gripper



SPECIAL GRIPPER

Foam Vacuum Gripper



SG-

Range
of the gripper :
- SG = Special Gripper

VG

Technology :
- VG = Valve Gripper
- PG = Port Gripper
- FV = Foam Valves
- MX= Mixed

420x800

Dimensions :
- custom size

-P20

Pitch :
- custom pitch

-3STX2

Integrated
Vacuum Source*1 :
- 1ST
- 2ST
- 3ST
- nothing

concept

- When it's not possible to use our standard modules even by changing their dimensions, it's possible to design and manufacture a complete special gripper
- Gripper completely designed to your requirements
- Test and prototype in house with your products
- Most products can be handled with a custom Joulin gripper to fit your needs

benefits

- Complete EOAT design and construction by JOULIN
- Partnership to achieve the goal
- 50 years of experience and knowledge at your service
- Designed with Griptech™ and Wave System™

more options

- Robot attachments
- Side bolsters
- Wiring and field bus
- Installation and on-site start-up available