

PALLETIZER PRO

Foam Vacuum Gripper



PA-

Range
of the gripper

VG

Technology :

- VG = Valve Gripper
- PG = Port Gripper
- FV = Foam Valves

600x400

Dimensions :

- 600x400 mm
- 1300x260 mm
- 1300x500 mm
- 1300x900 mm
- 1300x1100 mm

-P20

Pitch :

- P15 = 15 mm
- P20 = 20 mm
- P28 = 28 mm
- P40 = 40 mm

concept

- Pick up all products (open top, shrink wrap, etc...)
- Gripping power remains constant whether single parts or entire layer
- Same tool for all products (slip sheets and pallets as well)
- Different foam patterns to fit your applications
- Uneven surfaces

benefits

- Saving up to 50% with the «Wave System»™ (internal closing valve)
- Low maintenance
- Not sensitive to dust
- No filter
- Adjustable internal components

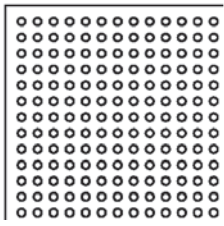
easy to customize

- Easy and inexpensive to manufacture to fit your sizes
- Zoning possible
- Adjustable lifting capacity with different check valves
- Robot attachment and other options available
- Quick delivery time

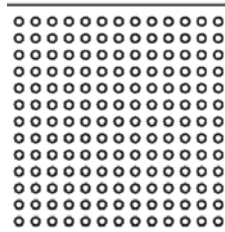
PALLETIZER PRO

Foam Vacuum Gripper

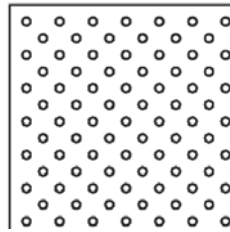
Sized with Griptech™ technology



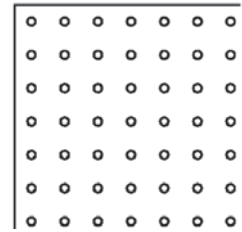
P15



P20



P28



P40

The foam pad molds to the shape of the product to be picked up. The surface of the product can be flat, rounded, twisted or the texture can be rough, porous, molded or even open from the top...

It's not a problem !

Strong full surface rigid support is distributed evenly allowing products to be moved at high acceleration rates !

	Minimum Width mm(in)
P15	30 (1.18)
P20	35(1.38)
P28	40(1.57)
P40	55(2.17)

PowerGrip™ :

For some applications where higher lifting force is required, it's possible to increase the size of the holes in the foam and change internal adjustment to get a stronger gripping capacity

Options :

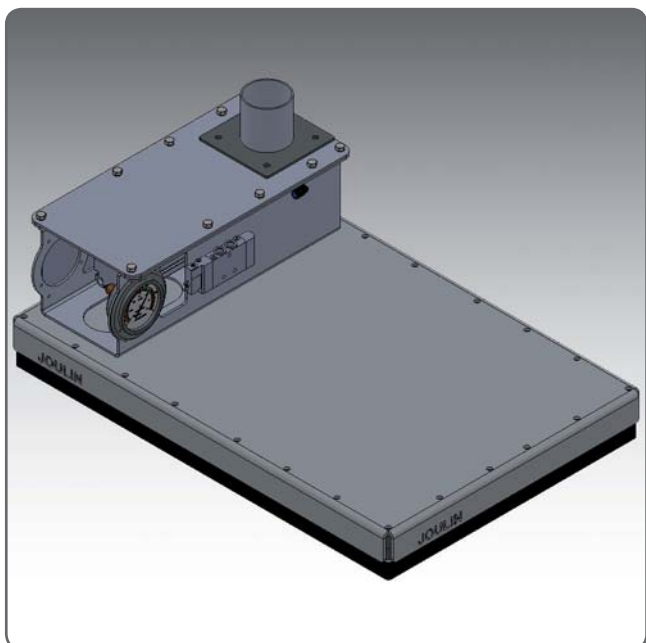
- PG version available (metered port)
- Blow off
- Flow reverser for quick release (light products suches sleep sheets)
- Blow off (light products such as sleep sheets)
- Flat, raised or flexible attachments (see page 69 for more information)
- Venturi (ejectors)
- Patented foam valve to pick up all open top containers , jars, glass, etc...



PALLETIZER PRO

Foam Vacuum Gripper

600 x 400

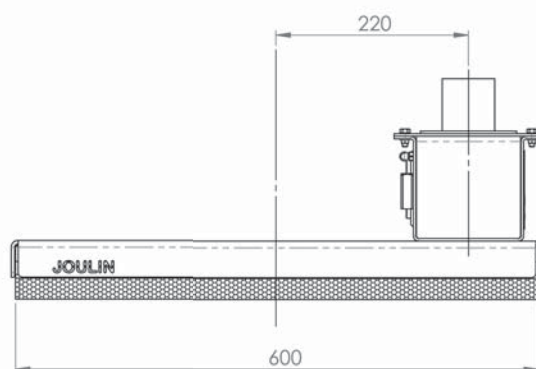
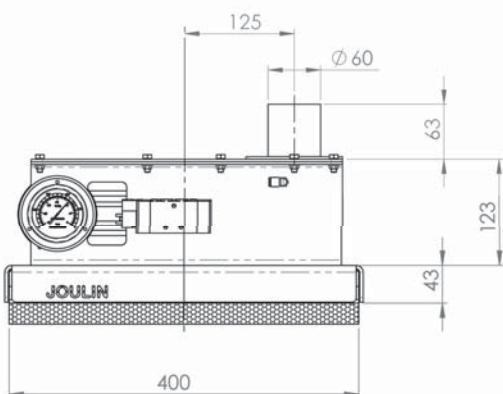
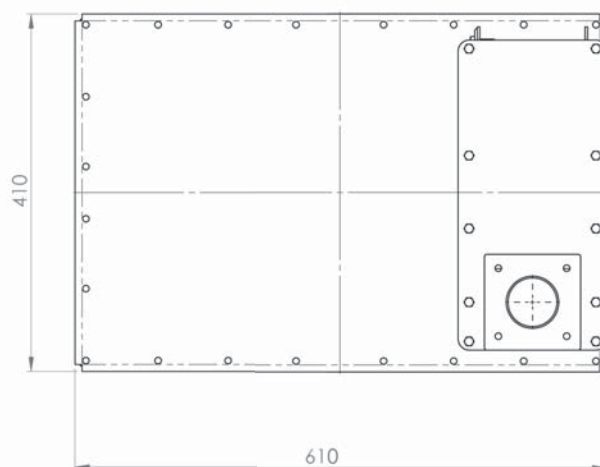


This gripper includes :

- PowerGrip™
- Wave System™
- Griptech™

Available :

- Zoning
- Rotating connection
- Blow off



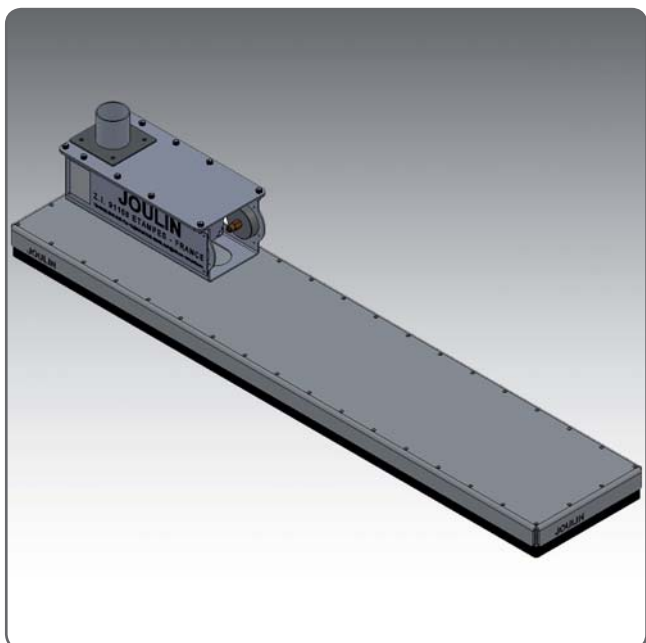
	Weight kg (Lbs)	Power needed kw (HP)	Valves	Foam Pad
PA-VG600x400-P20	12(26.44)	3.3 to 4.3 (5.1 to 6.4)	551	PAF600.400-20
PA-VG600x400-P28	12(26.44)	3.3 to 4.3 (5.1 to 6.4)	260	PAF600.400-28
PA-VG600x400-P40	12(26.44)	1.5 to 3.3 (2.35 to 5.1)	126	PAF600.400-40

specifications are subject to change

PALLETIZER PRO

Foam Vacuum Gripper

1300 x 260

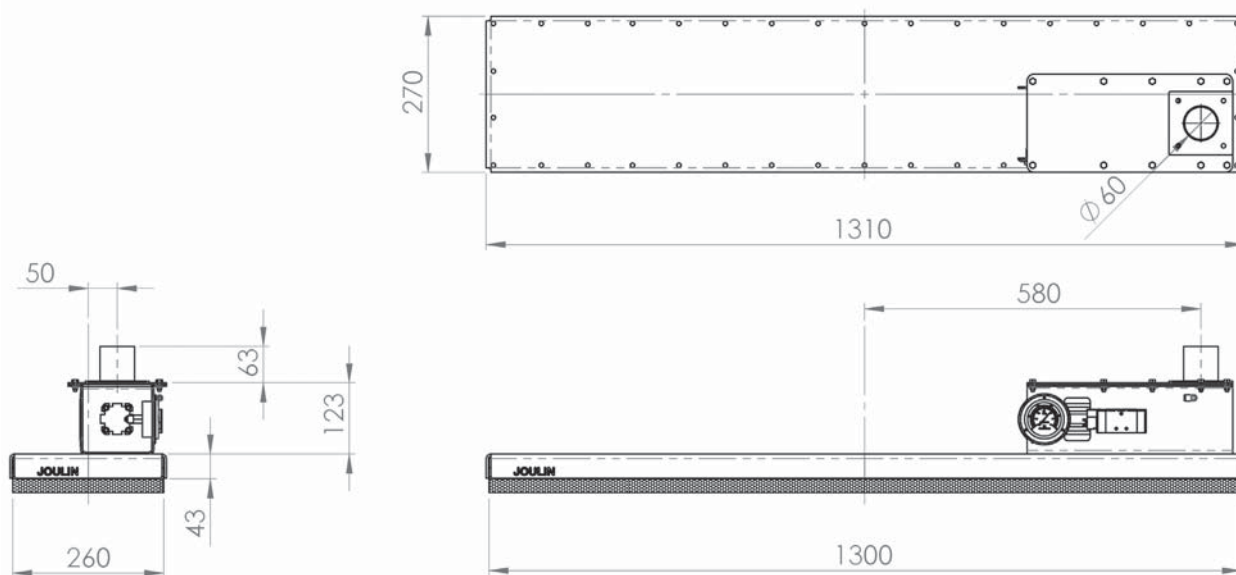


This gripper includes :

- PowerGrip™
- Wave System™
- Griptech™

Available :

- Zoning
- Rotating connection
- Blow off



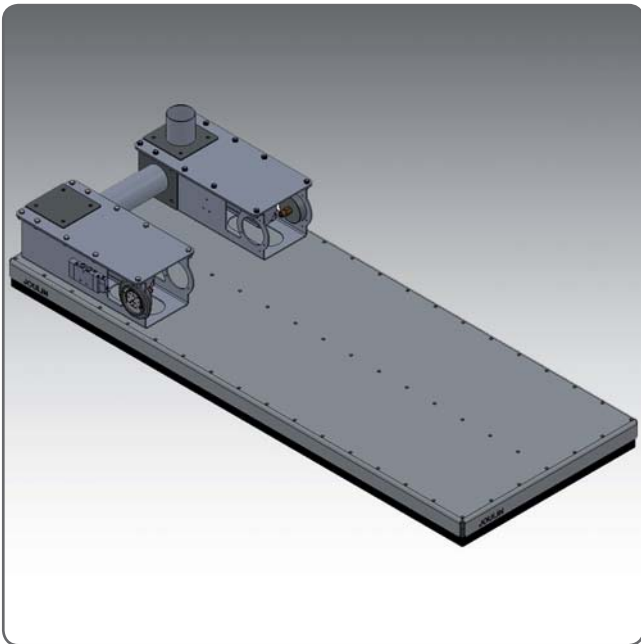
	Weight kg (Lbs)	Power needed kw (HP)	Valves	Foam Pad
PA-VG1300x260-P20	17(37.47)	4.3 to 7.5 (6.4 to 16.9)	768	PAF1300.260-20
PA-VG1300x260-P28	17(37.47)	3.3 to 4.3 (5.1 to 6.4)	360	PAF1300.260-28
PA-VG1300x260-P40	17(37.47)	1.5 to 3.3 (2.35 to 5.1)	192	PAF1300.260-40

specifications are subject to change

PALLETIZER PRO

Foam Vacuum Gripper

1300 x 500

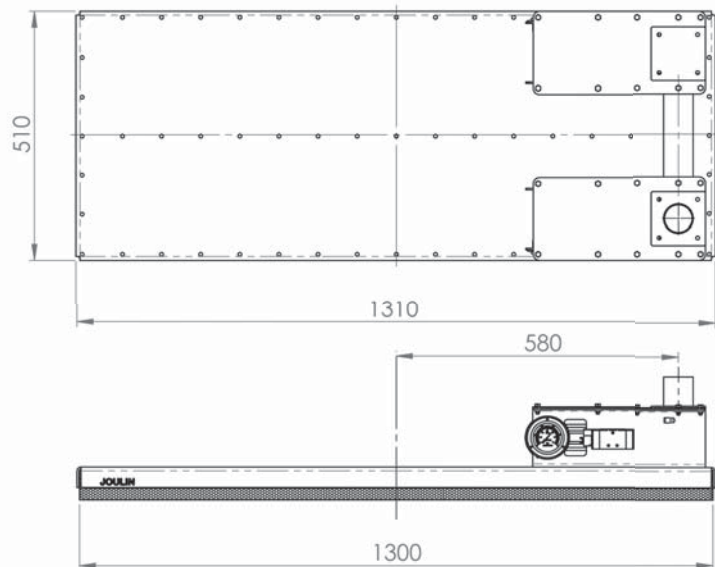
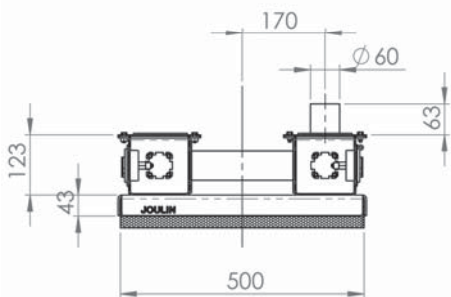


This gripper includes :

- PowerGrip™
- Wave System™
- Griptech™

Available :

- Zoning
- Rotating connection
- Blow off



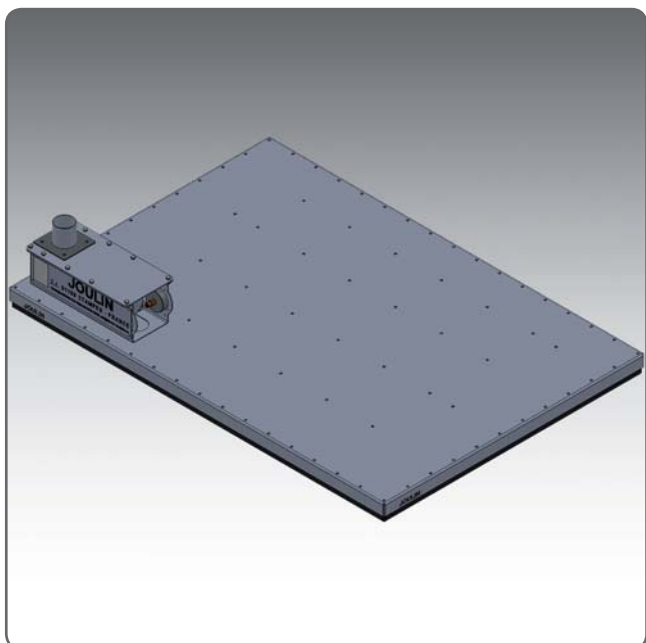
	Weight kg (Lbs)	Power needed kw (HP)	Valves	Foam Pad
PA-VG1300x500-P20	32(70.53)	4.3 to 7.5 (6.4 to 16.9)	1536	PAF1300.500-20
PA-VG1300x500-P28	32(70.53)	4.3 to 7.5 (6.4 to 16.9)	765	PAF1300.500-28
PA-VG1300x500-P40	32(70.53)	3.3 to 4.3 (5.1 to 6.4)	384	PAF1300.500-40

specifications are subject to change

PALLETIZER PRO

Foam Vacuum Gripper

1300 x 900

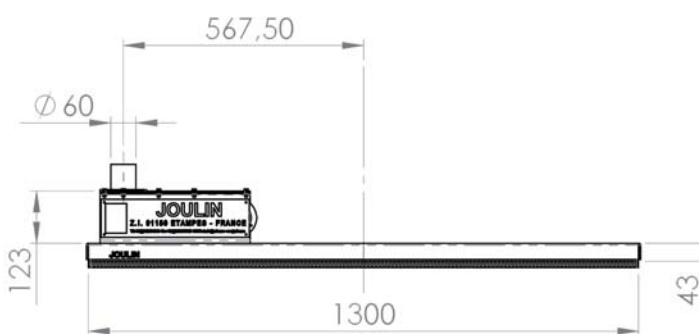
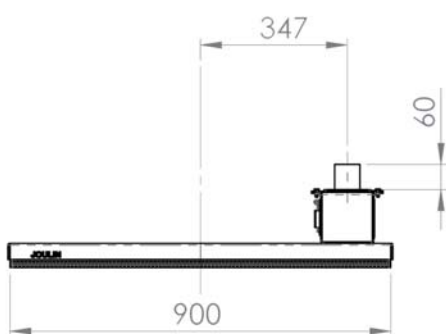
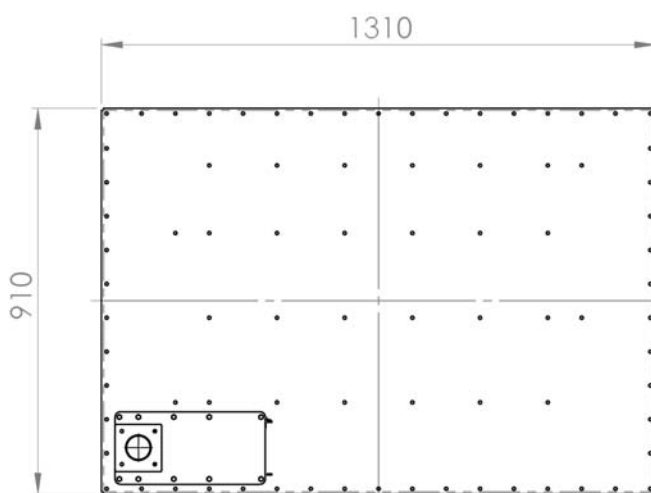


This gripper includes :

- PowerGrip™
- Wave System™
- Griptech™

Available :

- Zoning
- Rotating connection
- Blow off



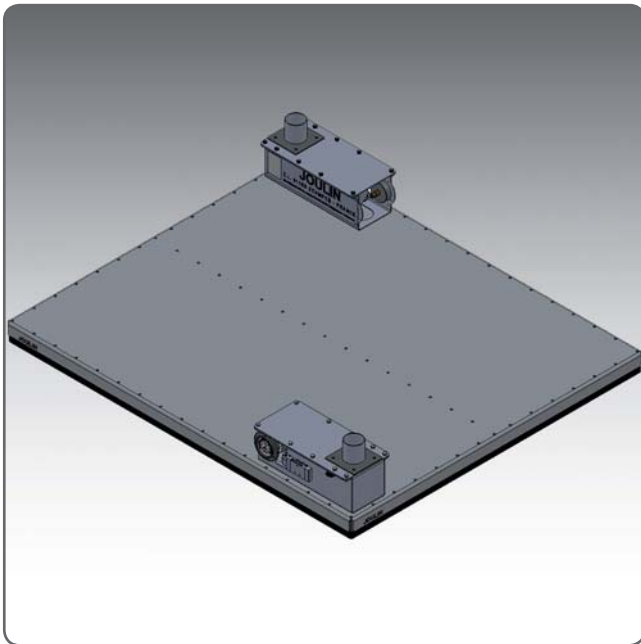
	Weight (kg)	Power needed (kw)	Valves	Foam Pad
PA-VG1300x900-P20	58(127.8)	7.5 to 18 (16.9 to 24.1)	2816	PAF1300.900-20
PA-VG1300x900-P28	58 (127.8)	4.3 to 7.5 (6.4 to 16.9)	1395	PAF1300.900-28
PA-VG1300x900-P40	58 (127.8)	4.3 to 7.5 (6.4 to 16.9)	704	PAF1300.900-40

specifications are subject to change

PALLETIZER PRO

Foam Vacuum Gripper

1300 x 1100

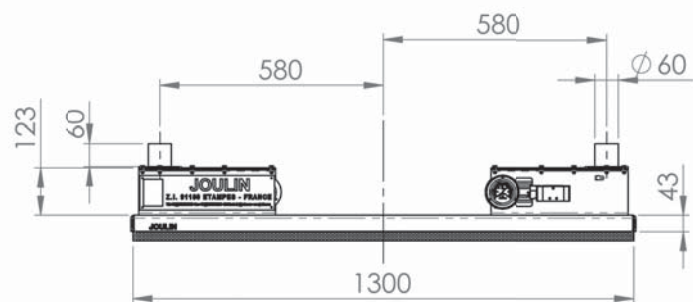
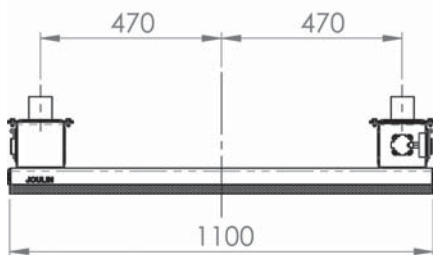
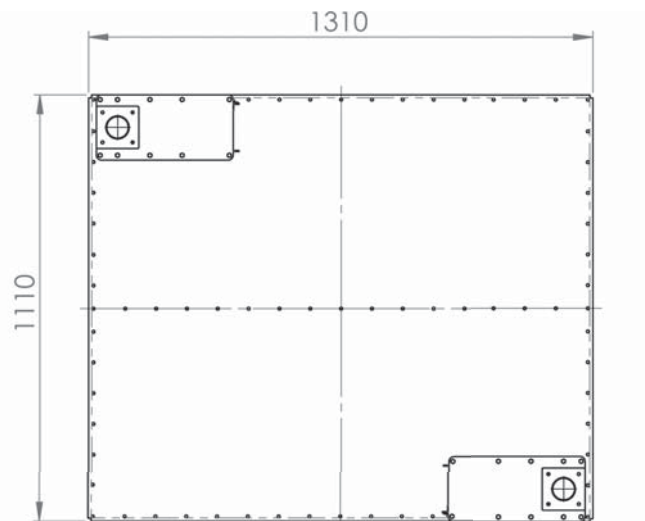


This gripper includes :

- PowerGrip™
- Wave System™
- Griptech™

Available :

- Zoning
- Rotating connection
- Blow off



	Weight (kg)	Power needed (kw)	Valves	Foam Pad
PA-VG1300x1100-P20	72	7.5 to 18 (16.9 to 24.1)	3456	PAF1310.1110-20
PA-VG1300x1100-P28	72	7.5 to 11 (16.9)	1748	PAF1310.1110-28
PA-VG1300x1100-P40	72	4.3 to 7.5 (6.4 to 16.9)	864	PAF1310.1110-40

specifications are subject to change