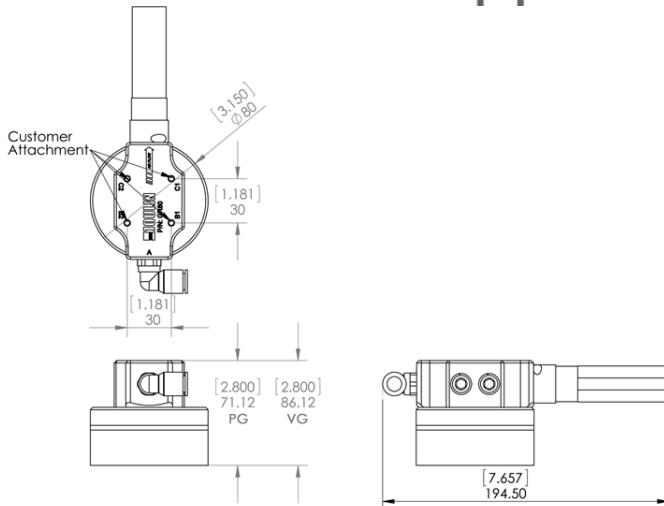


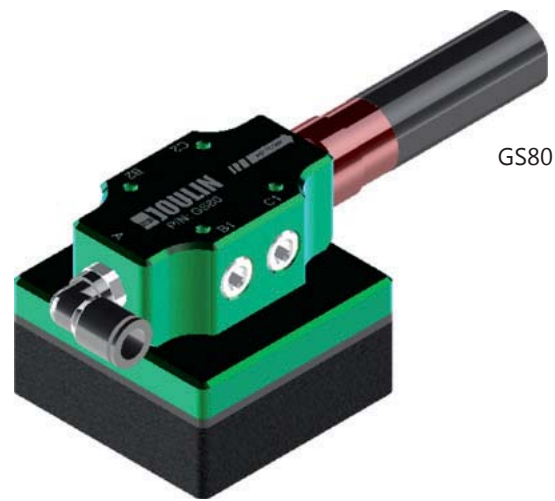
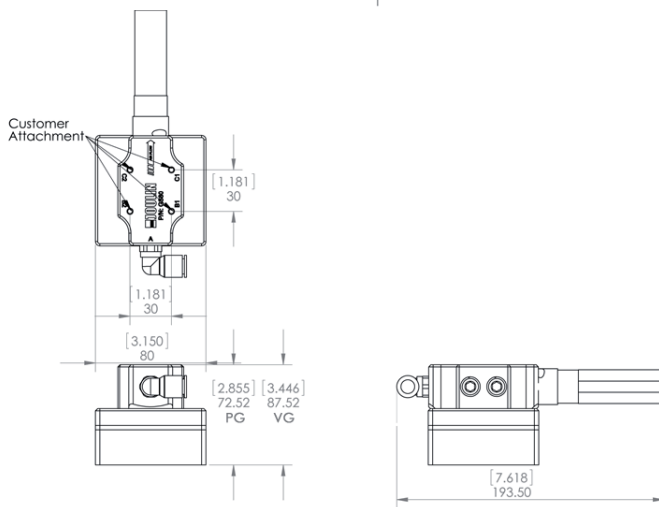
FLEXIGRIP

Foam Vacuum Gripper

GR/GS80



GR80



GS80

Feed pressure: 6 bars - 87 psi		Holding Force N(Lbs)*		
		20% Vacuum	40% Vacuum	60% Vacuum
GR80	Non-porous ...like steel	23(5)	41(9)	58(12.7)
	Semi-porous ...like wood	20(4.4)	30(6.6)	41(9)
	Porous ...like cardboard	17(3.7)	24(5.2)	33(7.2)
GS80	Non-porous ...like steel	30(6.6)	52(11.4)	74(16.3)
	Semi-porous ...like wood	26(5.7)	39(8.6)	52(11.4)
	Porous ...like cardboard	22(4.8)	31(6.8)	41(9)

80% coverage is recommended for PG Grippers - Identical values for PG/FB - *fully covered, safety factor 1.5 already applied

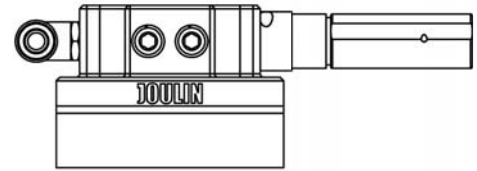
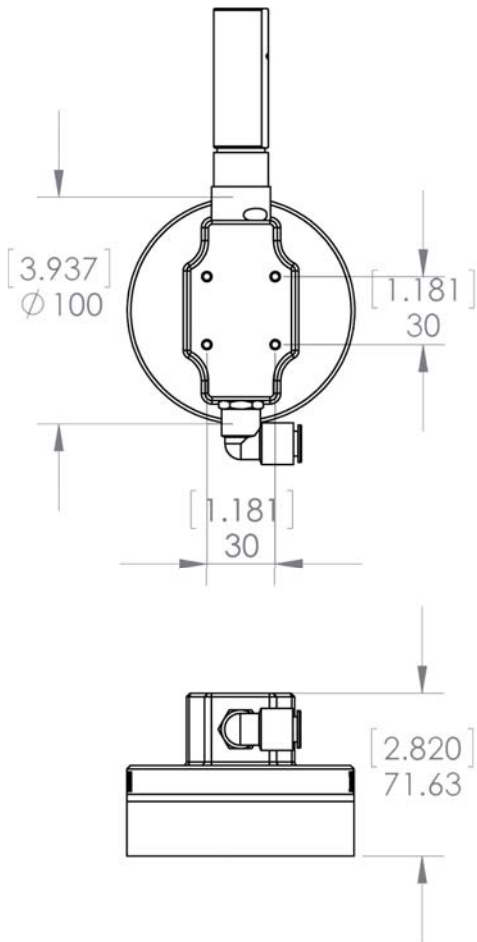
	Technical Data			Replaceable Parts	
	Air Consumption NI/sec(scfm)	Max Flow NI/sec(scfm)	Weight Kg(Lbs)	Foam Pad	Vacuum Generator
FG-PG-GR80-2ST	1.75(3.71)	3.3(6.99)	0.4(0.88)	FGRF80	IM
FG-VG-GR80-2ST	1.75(3.71)	3.3(6.99)	0.5(1.1)	FGRF80	IM
FG-PG-GS80-2ST	1.75(3.71)	3.3(6.99)	0.5(1.1)	FGF80.8	IM
FG-VG-GS80-2ST	1.75(3.71)	3.3(6.99)	0.6(1.32)	FGF80.8	IM
FG-FB-GR80-2ST	1.75(3.71)	3.3(6.99)	0.5(1.1)	FGBRF80	IM
FG-FB-GS80-2ST	1.75(3.71)	3.3(6.99)	0.6(1.32)	FGBF80	IM

specifications are subject to change

FLEXIGRIP

Foam Vacuum Gripper

GR100



Feed pressure: 6 bars - 87 psi		Holding Force N(Lbs)*		
		20% Vacuum	40% Vacuum	60% Vacuum
GR100	Non-porous ...like steel	43(9.5)	76(16.7)	114(25.1)
	Semi-porous ...like wood	38(8.3)	49(10.8)	65(14.3)
	Porous ...like cardboard	32(7)	49(10.8)	65(14.3)

80% coverage is recommended for PG Grippers - Identical values for PG/VG/FB - *fully covered, safety factor 1.5 already applied

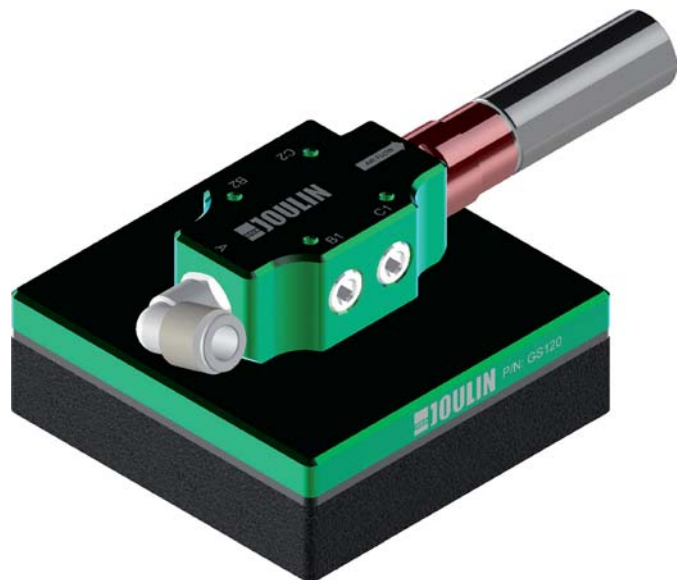
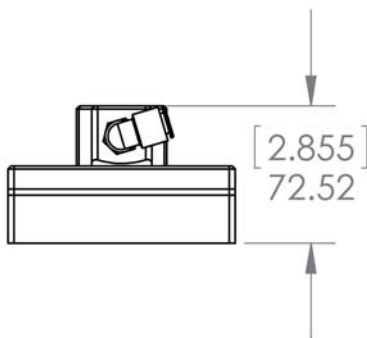
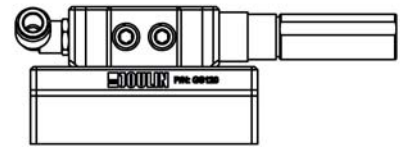
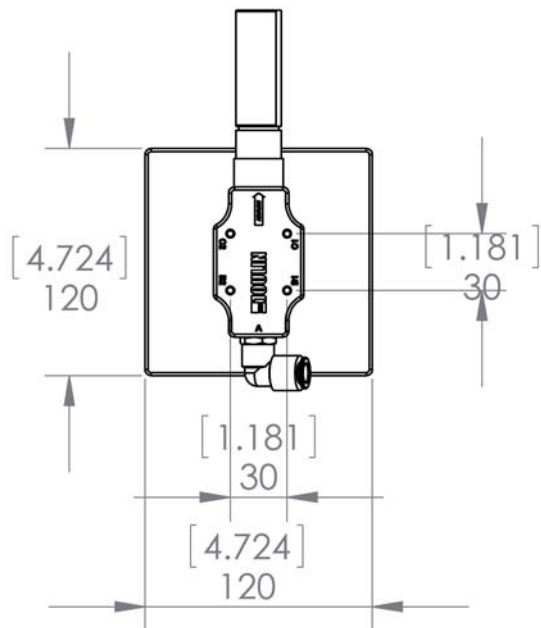
	Technical Data			Replaceable Parts	
	Air Consumption NI/sec(scfm)	Max Flow NI/sec(scfm)	Weight Kg(Lbs)	Foam Pad	Vacuum Generator
FG-PG-GR100-2ST	1.75(3.71)	3.3(6.99)	0.5(1.1)	FGR100	IM
FG-VG-GR100-2ST	1.75(3.71)	3.3(6.99)	0.6(1.32)	FGR100	IM
FG-FB-GR100-2ST	1.75(3.71)	3.3(6.99)	0.6(1.32)	FGBR100	IM

specifications are subject to change

FLEXIGRIP

Foam Vacuum Gripper

GS120



Feed pressure: 6 bars - 87 psi		Holding Force N(Lbs)*		
		20% Vacuum	40% Vacuum	60% Vacuum
GS120	Non-porous ...like steel	80(17.6)	140(30.8)	210(46.2)
	Semi-porous ...like wood	70(15.4)	90(19.8)	120(26.4)
	Porous ...like cardboard	60(13.2)	90(19.8)	120(26.4)

80% coverage is recommended for PG Grippers - Identical values for PG/VG/FB - *fully covered, safety factor 1.5 already applied

	Technical Data			Replaceable Parts	
	Air Consumption NI/sec(scfm)	Max Flow NI/sec(scfm)	Weight Kg(Lbs)	Foam Pad	Vacuum Generator
FG-PG-GS120-2ST	1.75(3.71)	3.3(6.99)	0.8(1.76)	FGF120.120	IM
FG-VG-GS120-2ST	1.75(3.71)	3.3(6.99)	1.0(2.20)	FGF120.120	IM
FG-FB-GS120-2ST	1.75(3.71)	3.3(6.99)	1.0(2.20)	FGBF120.120	IM

specifications are subject to change