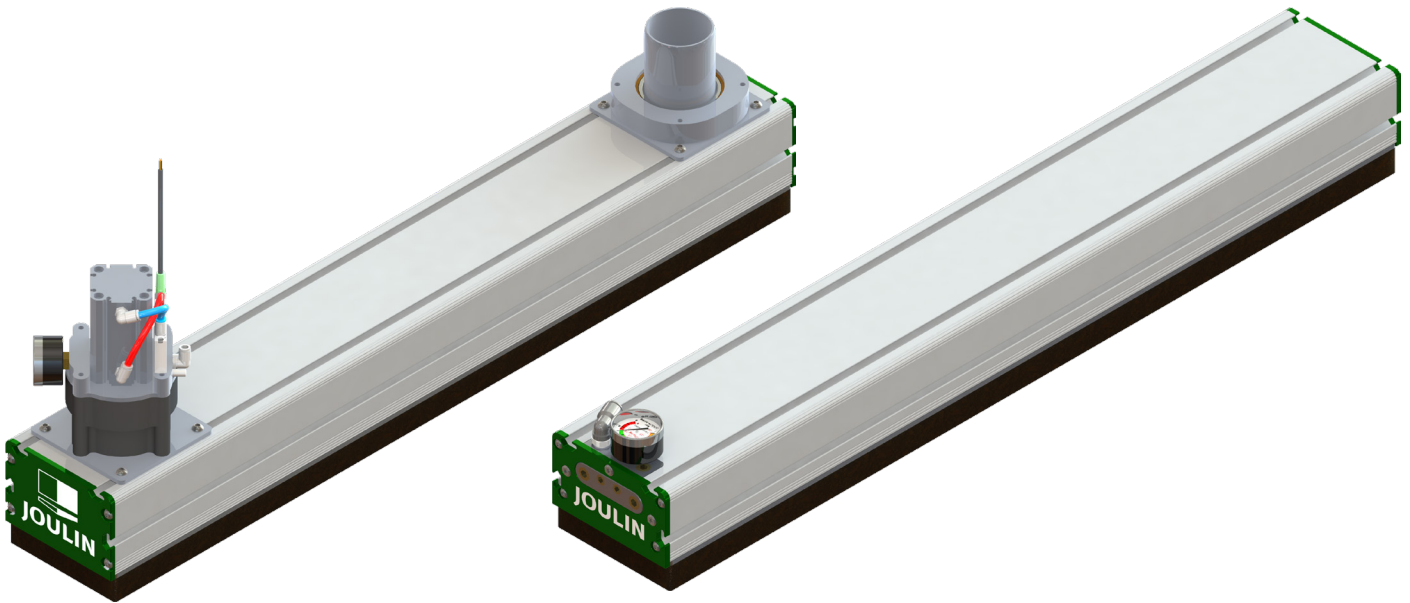


EXTRU GRIP¹²⁵

FOAM VACUUM GRIPPER



Designed for modularity

CONCEPT

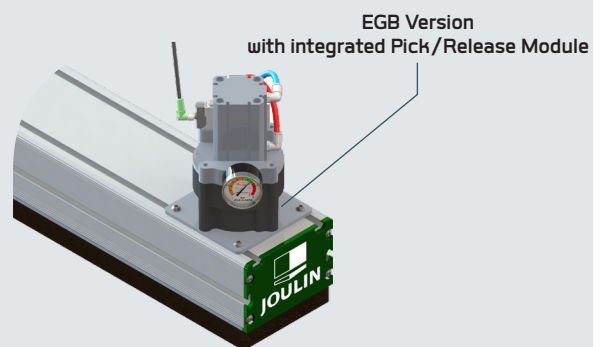
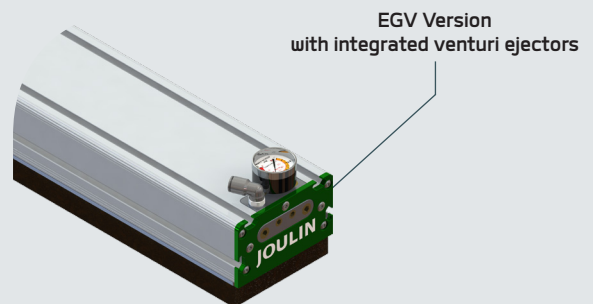
- All Joulin's technology in an aluminum profile
- External vacuum source or internal with venturi ejectors
- Different foam patterns to fit your application
- Easily adaptable on existing equipment

BENEFITS

- Integrated pick/release module on EGB version
- Modular for picking layers of products
- Adaptable in length up to 3000mm
- Maximum rigidity
- Possibility of partial picking or releasing of products
- Simplified adjustment of options in profile grooves

EASY TO CUSTOMIZE

- 2 available technologies: valves or calibrated holes
- Easy to install by fixing into the grooves
- Low weight compared to Lumber Gripper (LG)



Made in USA



Made in France

Innovative solutions for your handling projects

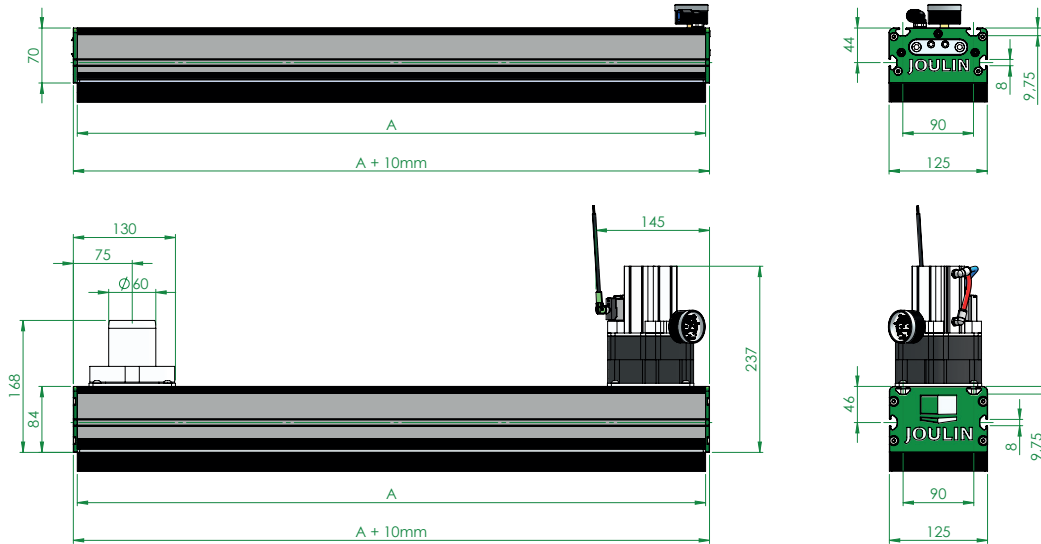


JOULIN
vacuum handling

EXTRU GRIP¹²⁵

FOAM VACUUM GRIPPER

INTEGRATING DATA



Model	Foam density	Length of the foam A (mm)	Weight kg (lbs)	Air Consumption NI/sec (scfm)		Maximum Flow NI/sec (scfm)			
				4P15	4P30	4P15		4P30	
						PG	VG	PG	VG
EGV	4P15 or 4P30	400	3,9 (8,5)	3.5 (7.42)	1.75 (3.71)	6.6 (13.99)	12 (25.4)	3.3 (6.99)	6 (12.7)
		600	5,4 (11,8)	5.25 (11.1)	3.5 (7.42)	9.9 (20.99)	18 (38.2)	6.6 (13.99)	12 (25.4)
		800	6,9 (15,1)	7 (14.84)	3.5 (7.42)	13.2 (27.98)	24 (50.9)	6.6 (13.99)	12 (25.4)
		1200	9,9 (21,8)	8.75 (18.55)	5.25 (11.1)	16.5 (34.98)	30 (63.6)	9.9 (20.99)	18 (38.2)
		1400	11,4 (25,1)	12.25 (25.97)	7 (14.84)	23.1 (48.97)	42 (89.0)	13.2 (27.98)	24 (50.9)
EGB	4P15 or 4P30	400	4,3 (9,4)	Foam Pad (EGV - EGB)		ref: EGF125.400-15		ref: EGF125.400-30	
		600	5,8 (12,8)			ref: EGF125.600-15		ref: EGF125.600-30	
		800	7,3 (16,1)			ref: EGF125.800-15		ref: EGF125.800-30	
		1200	10,3 (22,8)			ref: EGF125.1200-15		ref: EGF125.1200-30	
		1400	11,8 (26,1)			ref: EGF125.1400-15		ref: EGF125.1400-30	

LABELLING

EGV -VG -125x800 -4P30 -3STX2

Range of the gripper

EGV
Integrated ejectors

EGB
External vacuum

Technology
- PG
Port Gripper
- VG
Valve Gripper

Standards dimensions

- 125x400
- 125x600
- 125x800
- 125x1200
- 125x1400

Custom
- 125x...

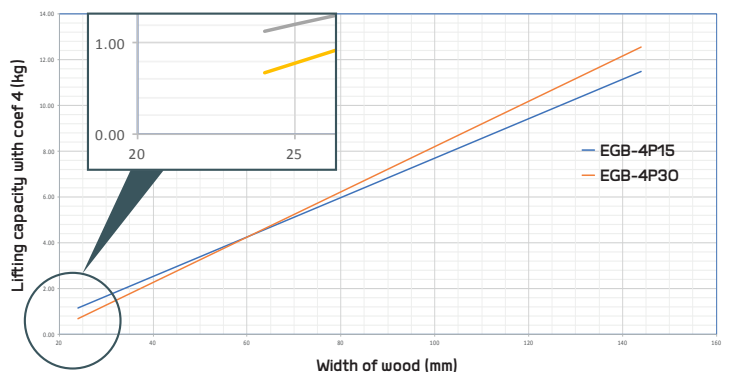
Pitch

- 4P15
15mm
- 4P30
30mm

Integrated vacuum source (EGV only)

- 2ST
2 stages
- 3ST
3 stages

EXAMPLE OF LIFTING CAPACITY ON WOOD



Europe

17 avenue des Grenots
91150 ETAMPES - FRANCE

Tél. +33 (0)1 69 92 16 16

Fax +33 (0)1 64 94 21 35



Made in France

USA

2551 HWY 70 SW - HICKORY
NC-28602

Phone: +(1)828 327 2290

Fax: +(1)828 327 8678



Made in USA



JOULIN
vacuum handling

contact: grippers@joulin.com

www.joulin.com