

TURBINES (BLOWERS)

50 Hz

Available on request :

- Flow reverser
- Release box
- Additional silencer
- Sound enclosure



**Elmo
Rietschle**
A Gardner Denver Product



VB 150 :

- Maximum flow rate : 87 m³/h (51.2 scfm)
- Maximum vacuum : -480 mbar
- Power : 1.5 kw



VB 220 :

- Maximum flow rate : 120 m³/h (70.7 scfm)
- Maximum vacuum : -450 mbar
- Power : 2.2 kw



VB 330 :

- Maximum flow rate : 170 m³/h (100.1 scfm)
- Maximum vacuum : -450 mbar
- Power : 3.3 kw



VB 430 :

- Maximum flow rate : 320 m³/h (188.4 scfm)
- Maximum vacuum : -450 mbar
- Power : 4.3 kw



VB 750 :

- Maximum flow rate : 520 m³/h (306.2 scfm)
- Maximum vacuum : -450 mbar
- Power : 7.5 kw



VB 710 :

- Maximum flow rate : 740 m³/h (435.8 scfm)
- Maximum vacuum : -300 mbar
- Power : 7.5 kw



VB 1100 :

- Maximum flow : 720 m³/h (420 scfm)
- Maximum vacuum : -550 mbar
- Power : 11 kw



VB 1650 :

- Maximum flow rate : 1100 m³/h (647.7 scfm)
- Maximum vacuum : -400 mbar
- Power : 16.5 kw



VB 1500 :

- Maximum flow rate : 740 m³/h (435.8 scfm)
- Maximum vacuum : -450 mbar
- Power : 15 kw



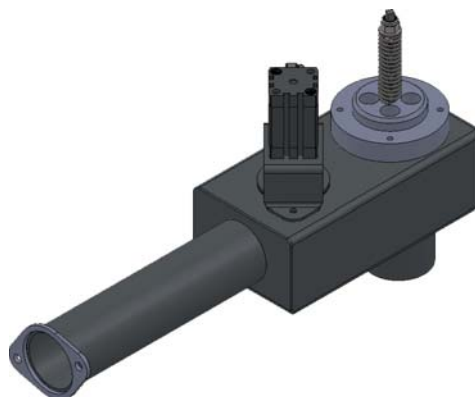
VB 2200 :

- Maximum flow rate : 1450 m³/h (853.8 scfm)
- Maximum vacuum : -450 mbar
- Power : 22 kw



VB 3700 :

- Maximum flow rate : 1800 m³/h (1059.9 scfm)
- Maximum vacuum : -450 mbar
- Power : 37 kw



Standard Blower Module